



# MINERVA

Dining room

**The Minerva collection is the biggest in the dining room ones in number of products. It has ten items, two of which can be customized by the customer. It is a landmark collection of the company: regal, baroque and luxurious. It denotes an incredibly targeted and elegant grandeur that never exceeds in exaggeration. Each carving and each curve are studied at their best.**

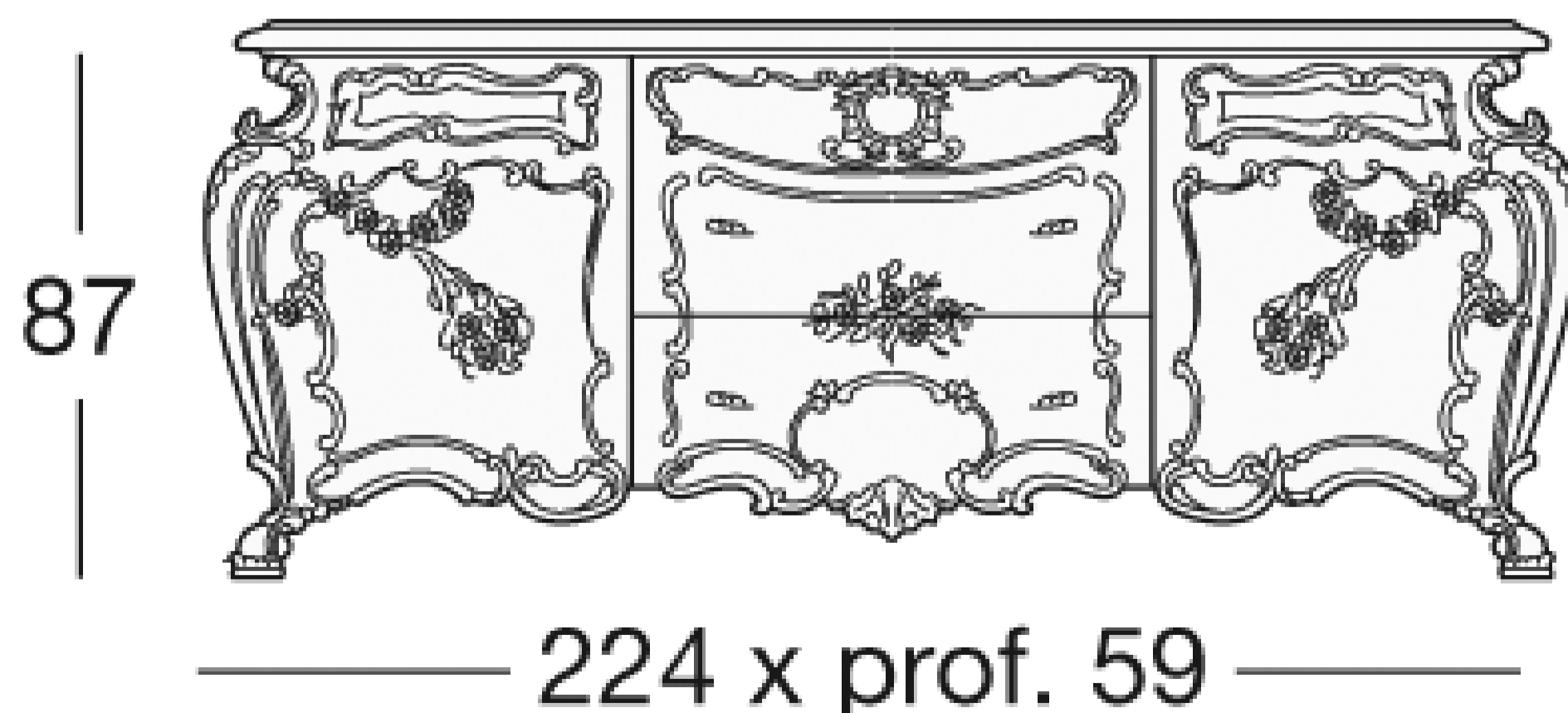
---

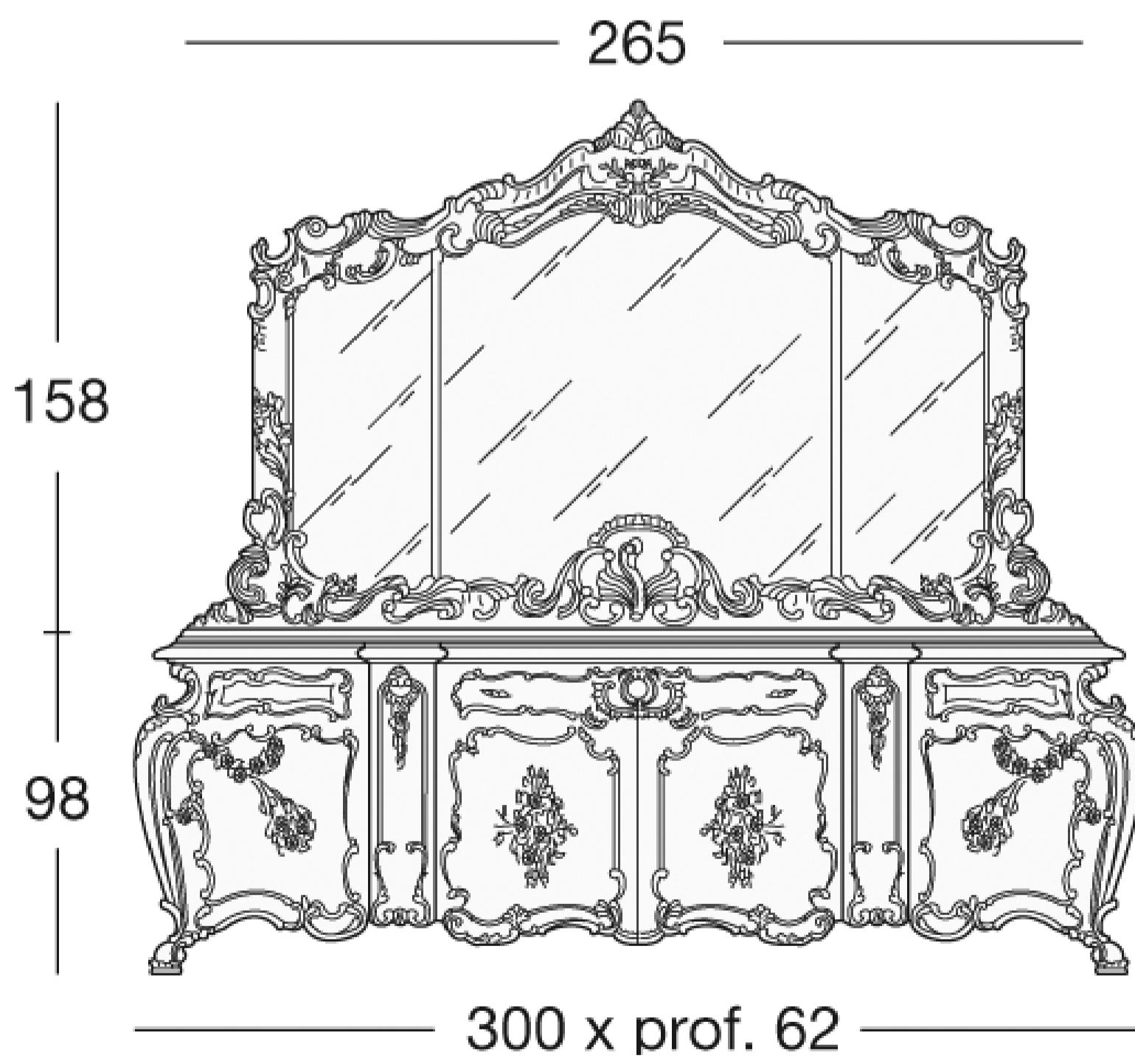
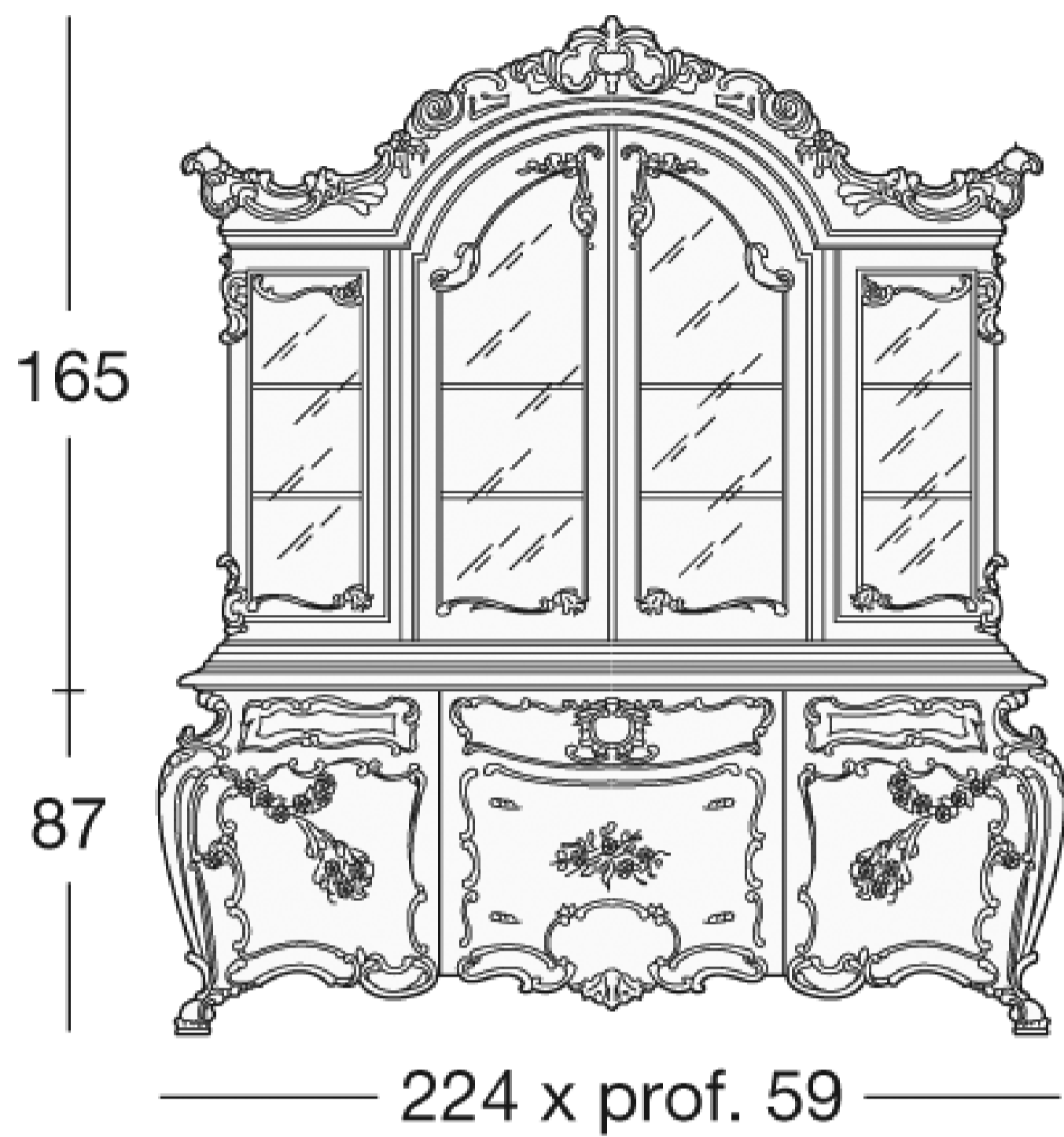
## **MINERVA**

**Art. 991/B-991-993+992**

**Glass cabinet and sideboard with mirror**

The Minerva dining room is perhaps the most recognisable Silik collection and for this reason it is full of special accessories. The glass cabinet with two doors produced on the sideboard base, a frame with mirror finely decorated matched with a spectacular sideboard. Everything is majestic, elegant, and absolutely perfect to give an idea of luxury without equal.





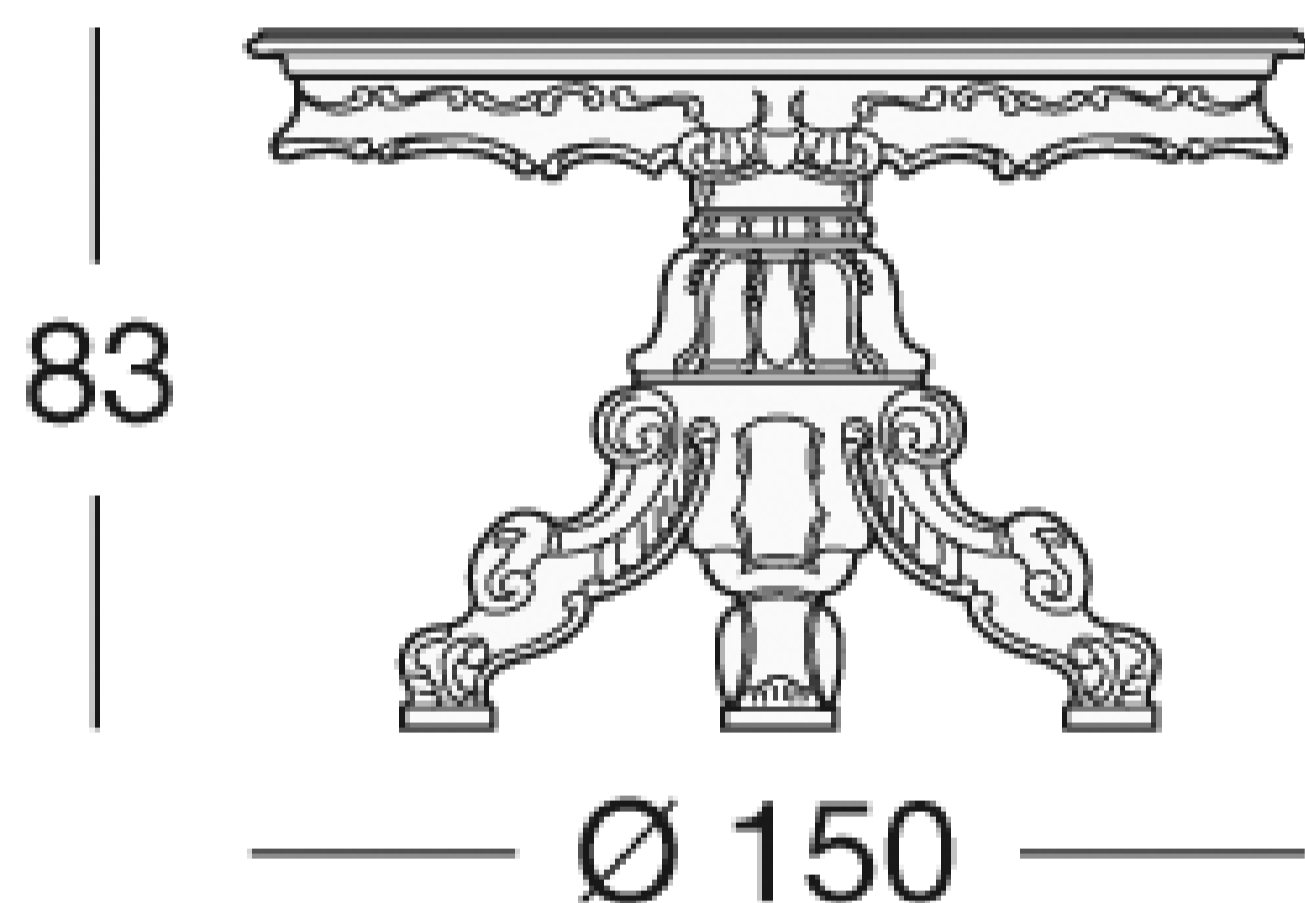
---

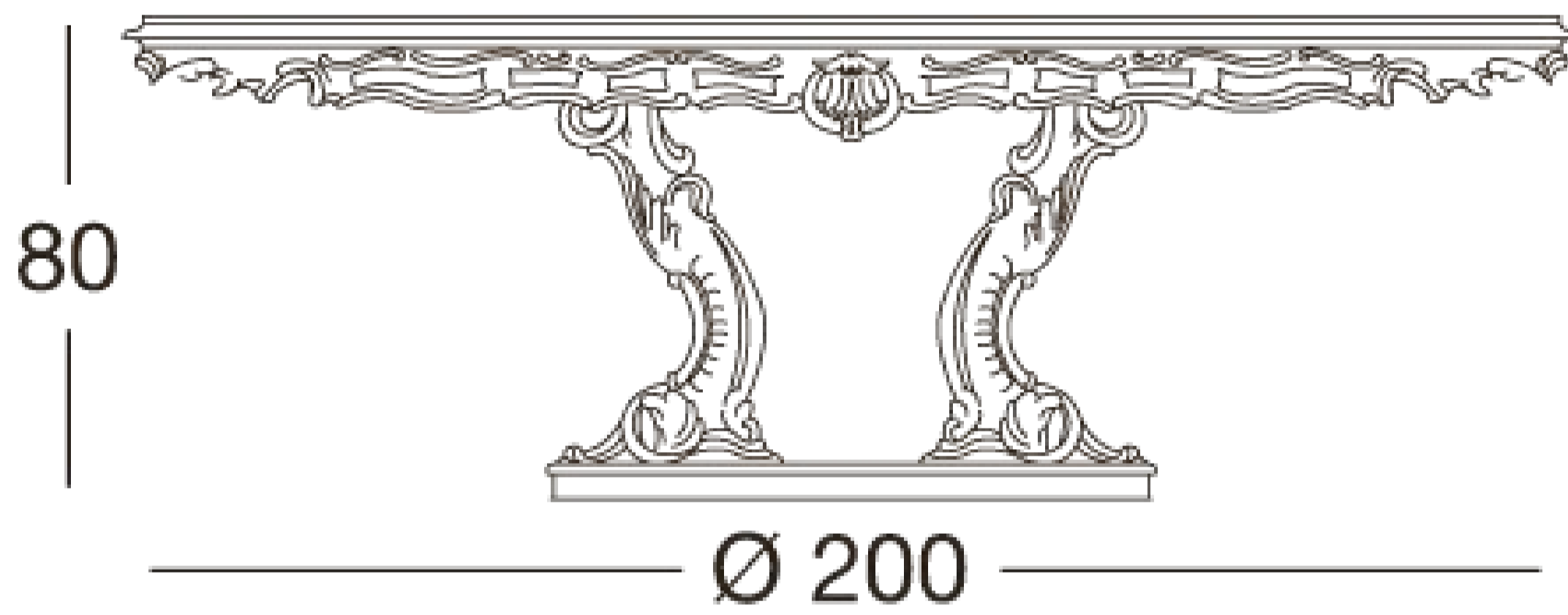
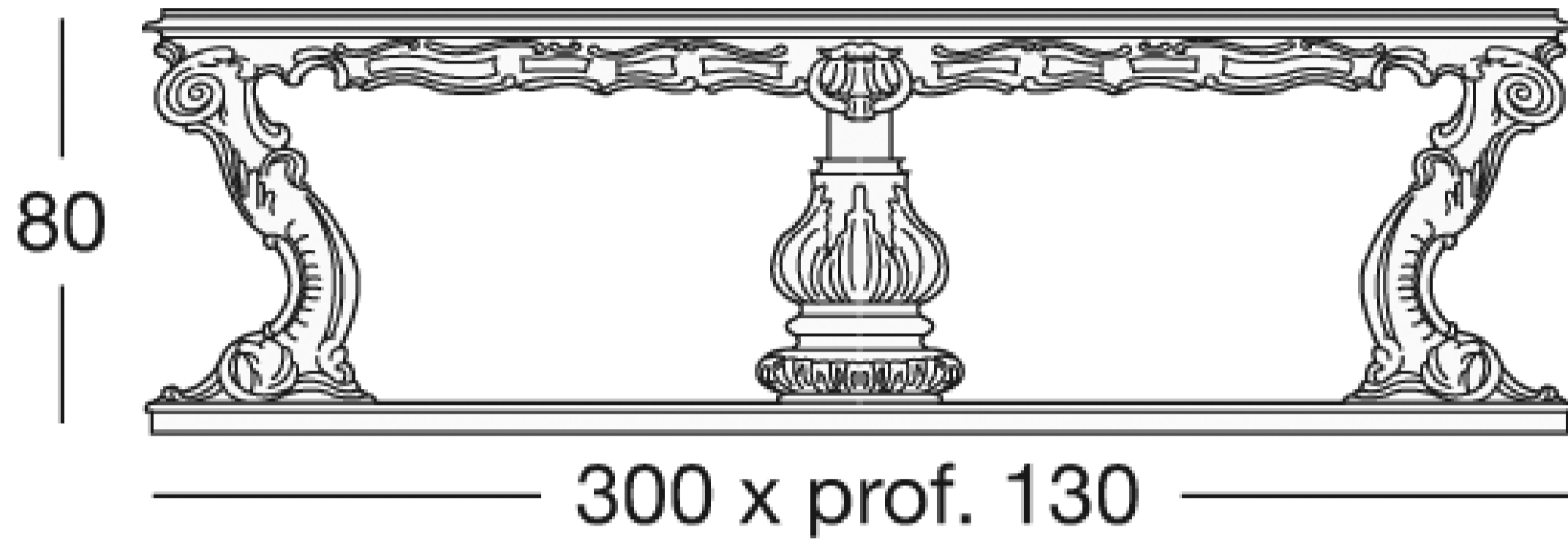
# MINERVA

Art. 994 - 995 - 995/M - 996 - 996/M - 996/R

## Tables

A wide choice is what distinguishes the various options of table in the Minerva set. This collection offers: two round tables, different in size and design, two rectangular tables longer than two meters. The thing that surely all these items have in common is the meticulousness in the processing of curls, volutes and details of friezes and carvings.





---

# MINERVA

Art. 997 - 998

Chairs

The Minerva collection is completed with two seats: a standard chair and an armchair with armrests, masterfully crafted even in the smallest details. Although the parts of the seats and legs are also fascinating, undoubtedly the most detailed parts are the backrests with a soft and sinuous shape and rich in friezes and carvings.

