



PANDORA

Bedroom

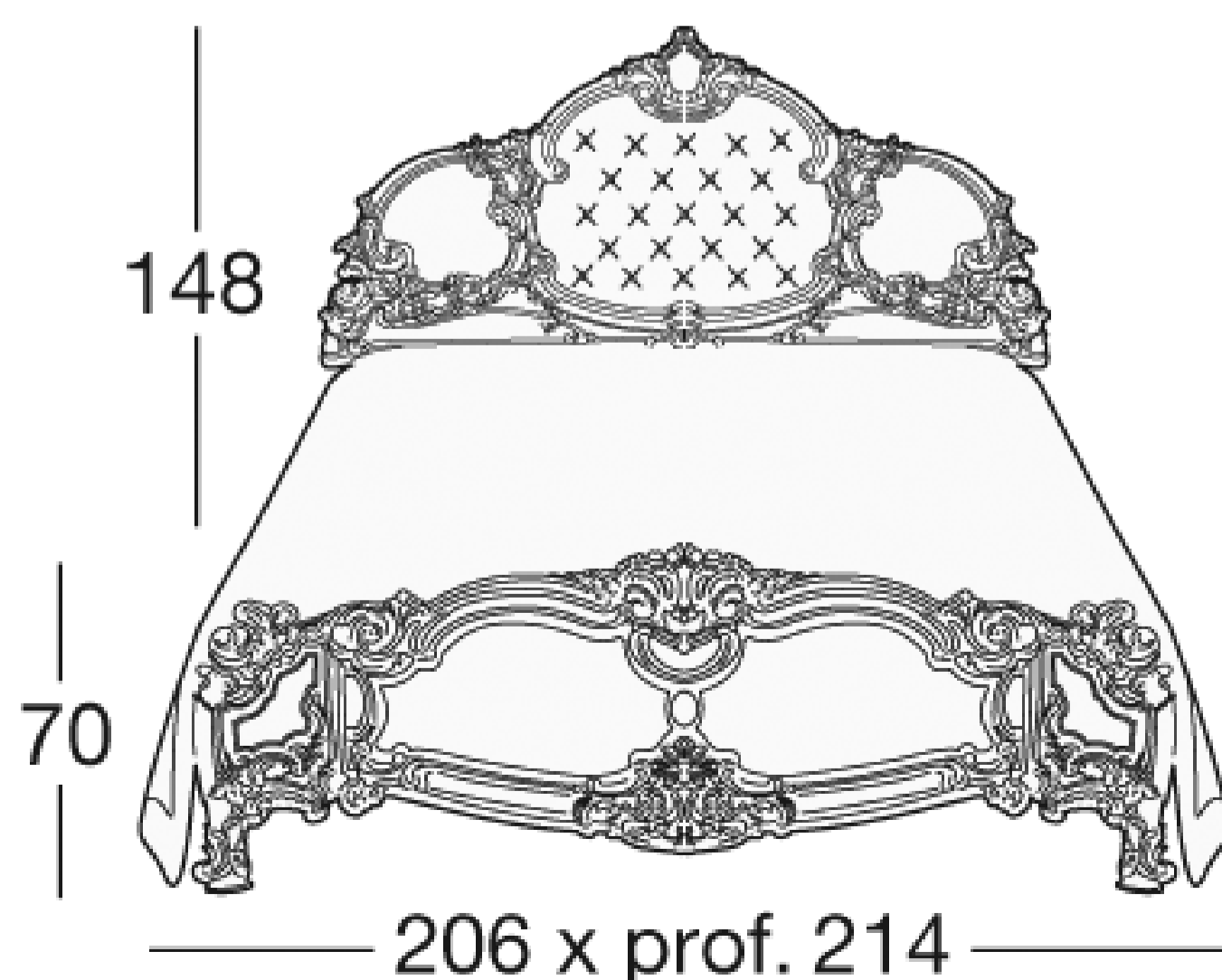
The Pandora bedroom is imbued with that baroque tendency of wanting to demonstrate volume and appearance with abundance of friezes. Pandora is chosen by people with a refined taste. Despite the luxury and richness of the decoration, the room does not seem exaggerated or too full, because there are not unnecessary or random elements, everything is studied in detail.

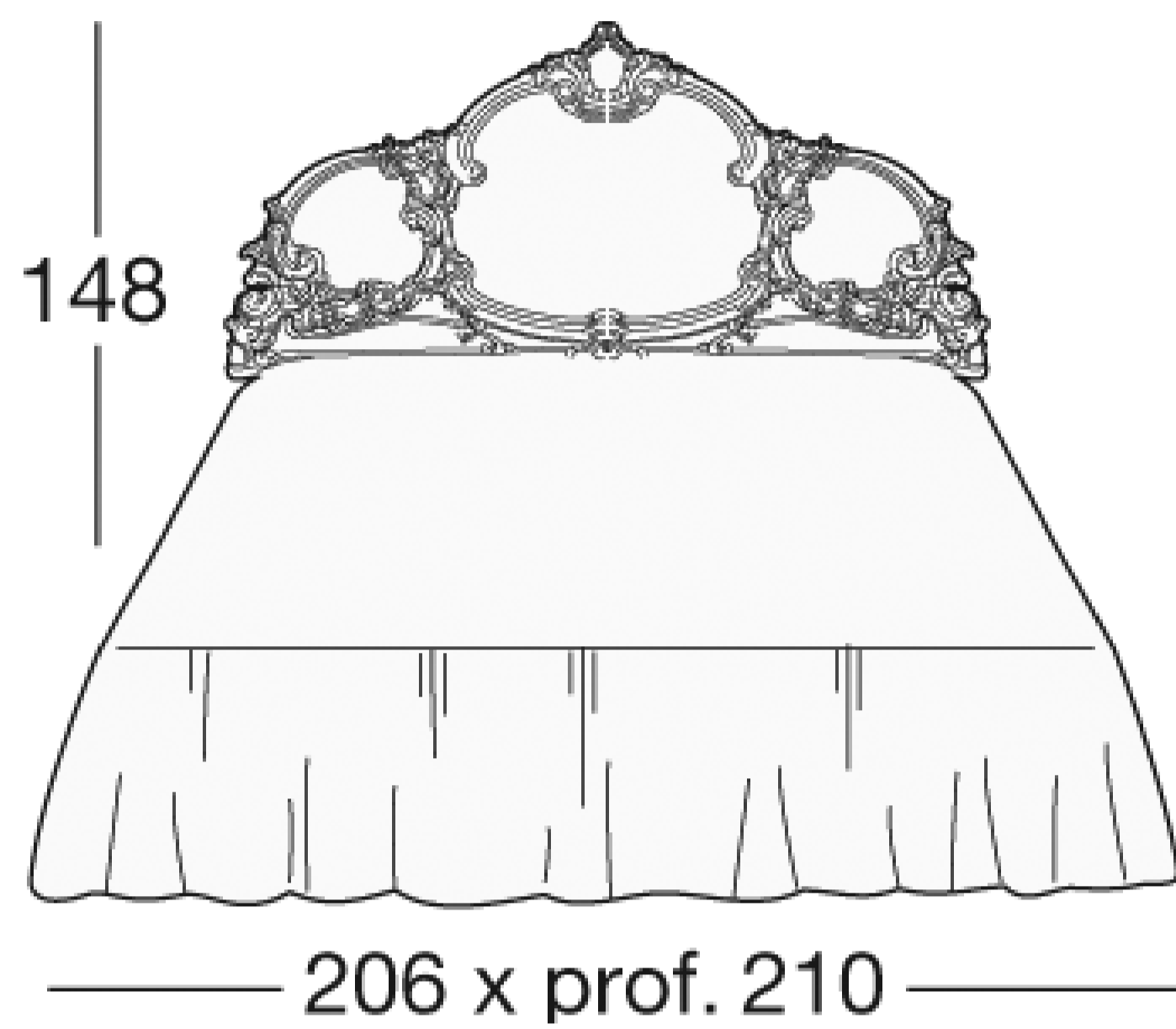
PANDORA

Art. 7752 - 7752/I

Beds

Carefully produced, the bed of the Pandora collection can be chosen with padded footboard which recalls the decorations of the headboard, or with padded bed frame but without footboard. The bed, although always in style, has not too many friezes or carvings, only the necessary to bring out the best shapes of this article.





PANDORA

Art. 7753

Night table

The night table with three drawers from the Pandora bedroom collection has elegant and sinuous shapes. The friezes recall the headboard of the bed set and, when enriched with our gold leaf, make everything even more luxurious and admirable. Every detail has been carefully designed to ensure a unique design.



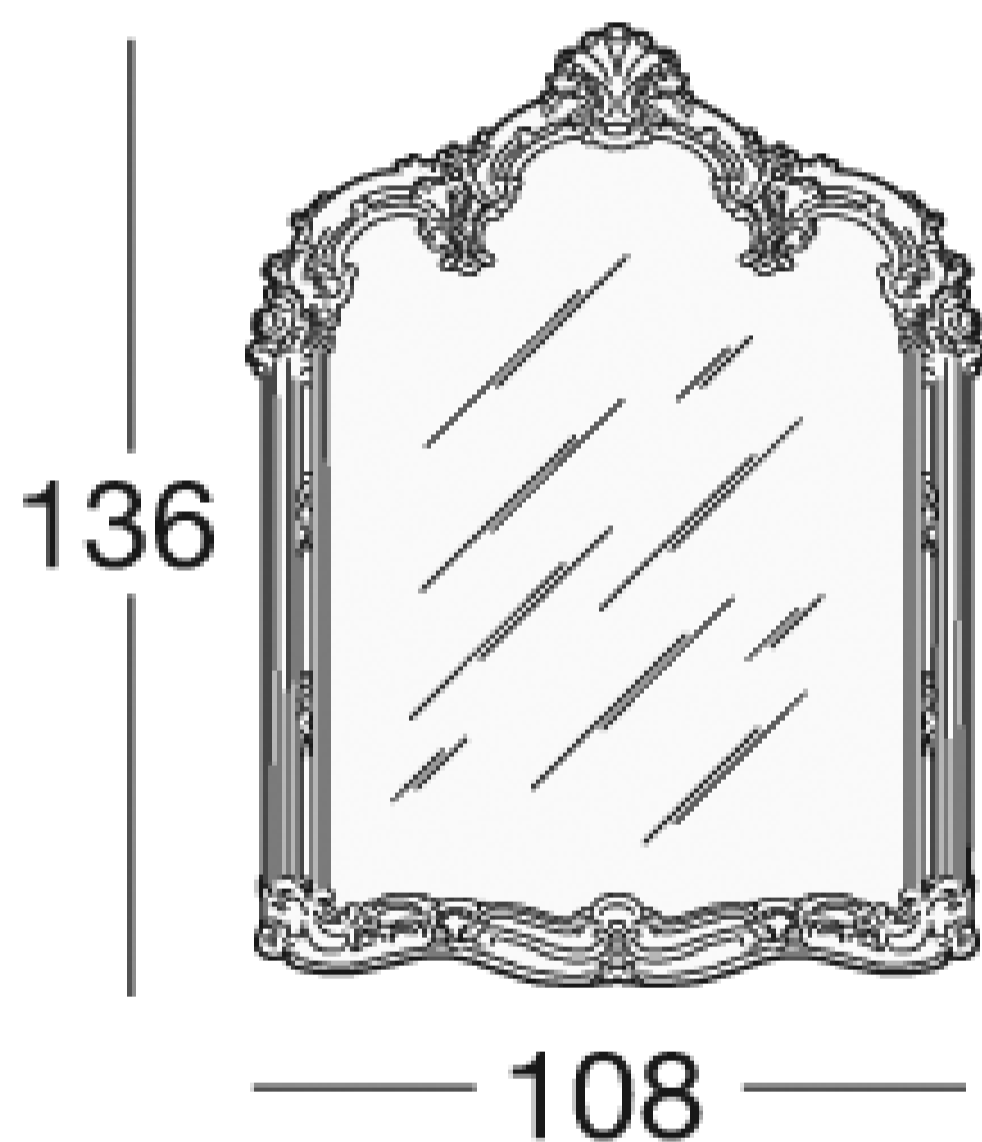
67 x prof. 40

PANDORA

Art. 7755

Frame with mirror

The mirror of the Pandora set is linear and huge. It is surmounted, at the highest central point, by an open-shell frieze. The curls and small volutes that enrich the frame are those details that make the real difference for Silik in a Made in Italy scenario.



PANDORA

Art. 7756

Chest of drawers

Imposing, spacious and beautifully crafted, the chest of drawers from the Pandora collection could be used in any edge of the house. The curls enriched with gold leaf details expertly applied by expert hands, enrich an article perfectly studied. Each line and each curve are the result of designs aimed at giving an idea of absolute luxury combined with refined elegance.

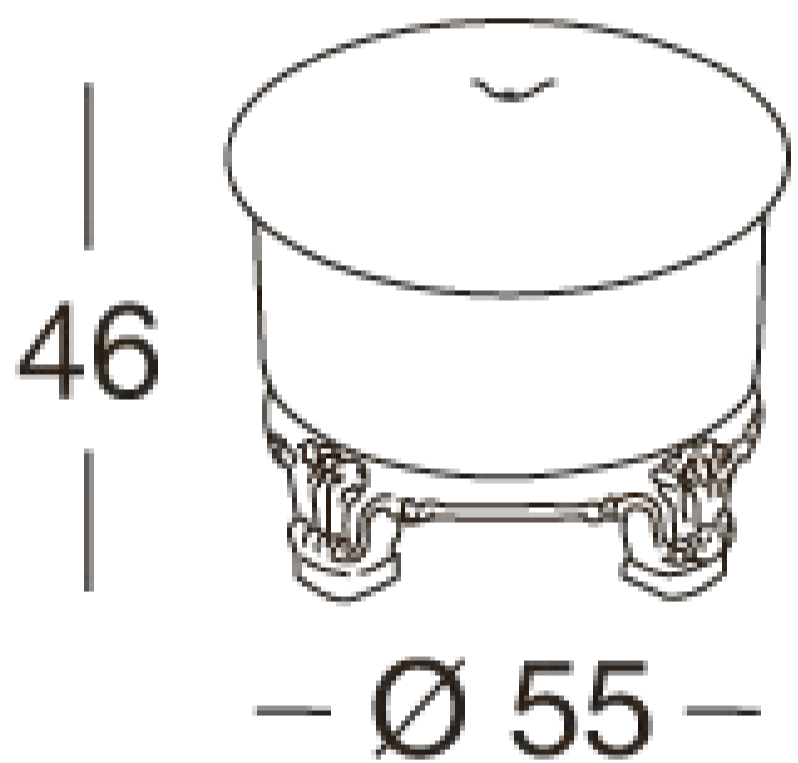


PANDORA

Art. 7738

Pouf

A fundamental accessory to any bedroom, the pouf is the detail that enriches the bedroom. With its 46 cm high it is perfect to be placed as a comfortable seat in front of the dressing table and a mirror. Finishing and selection of fabric will be the real customisation of this small article.

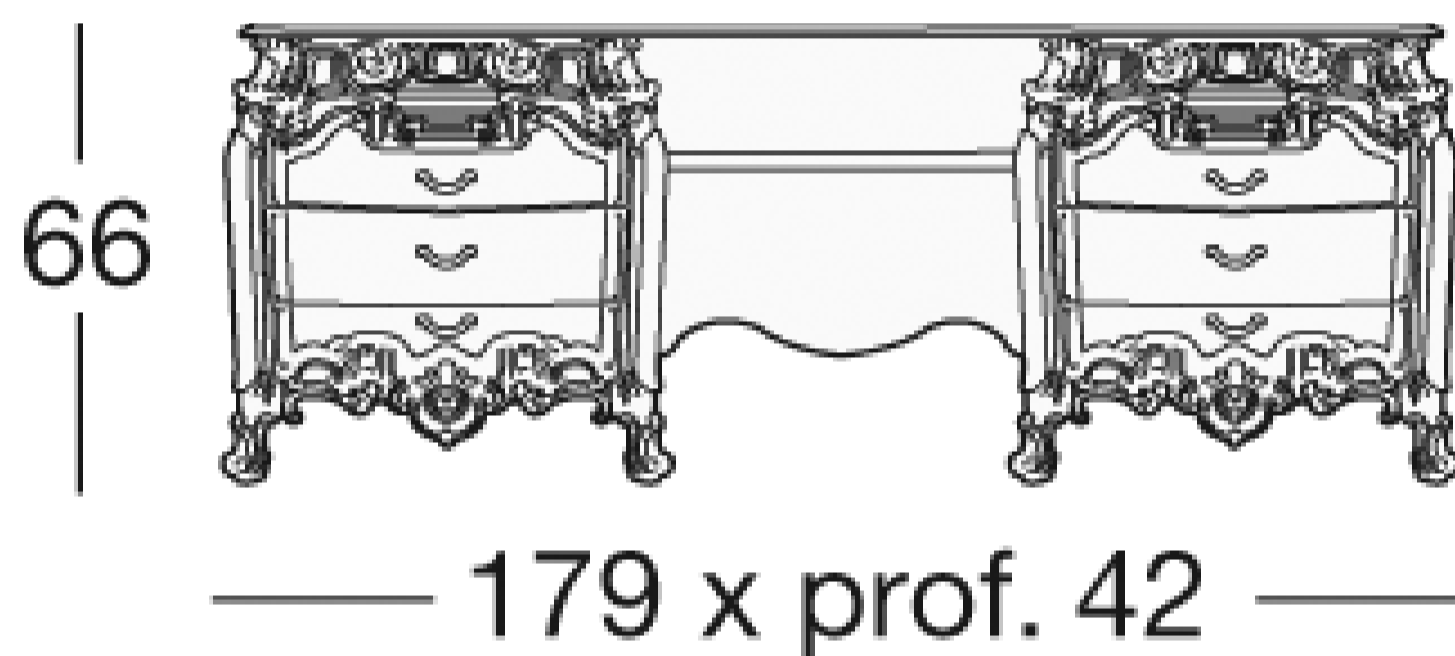


PANDORA

Art. 7757

Dressing table

The six-drawer dressing table in the Pandora collection perfectly recalls the finely designed night table and the carvings of the chest of drawers. Its wide measures, length of 179 cm, a height of 66 and a depth of 42 cm, provide space for a meticulous organization of personal objects.

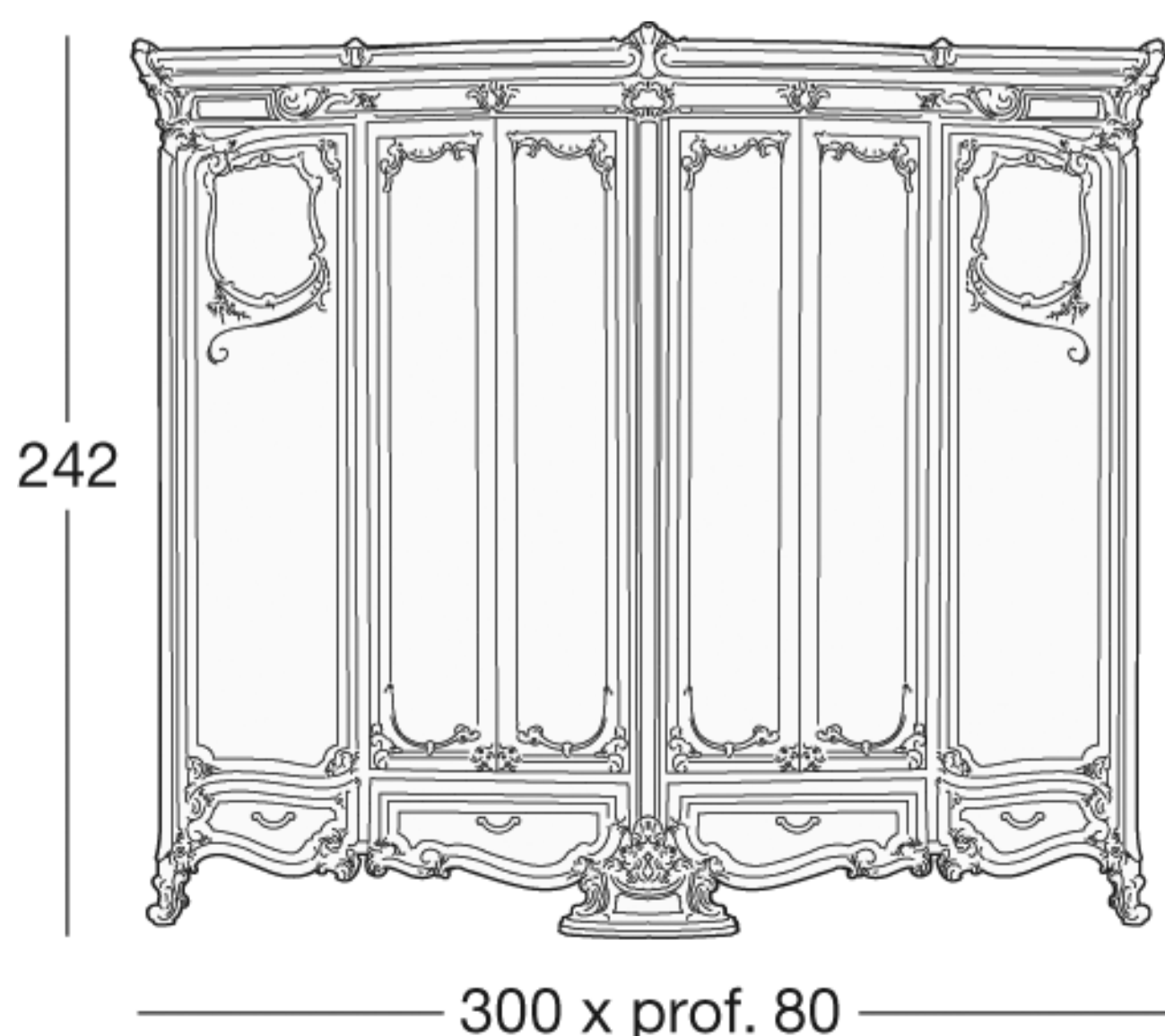
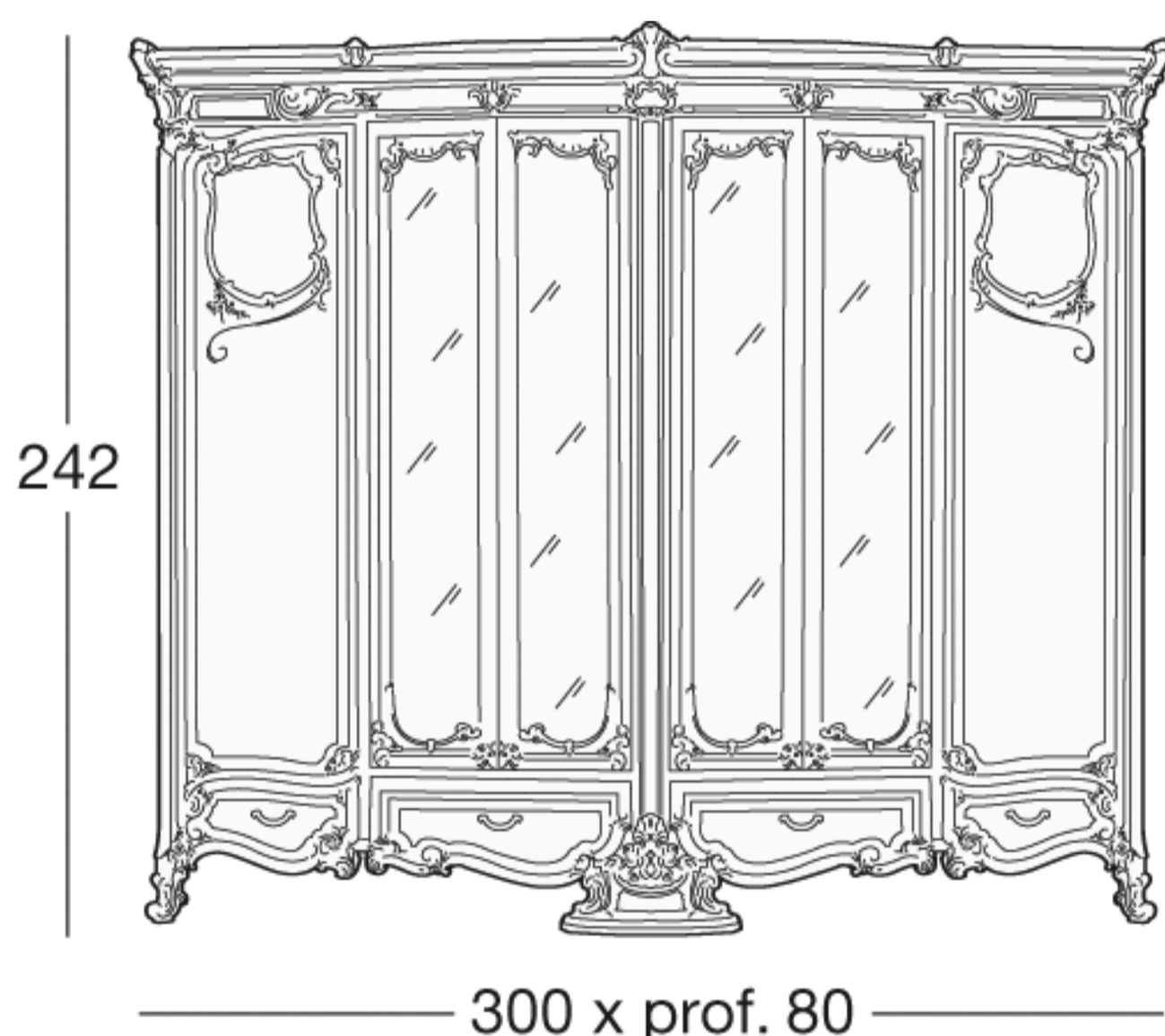


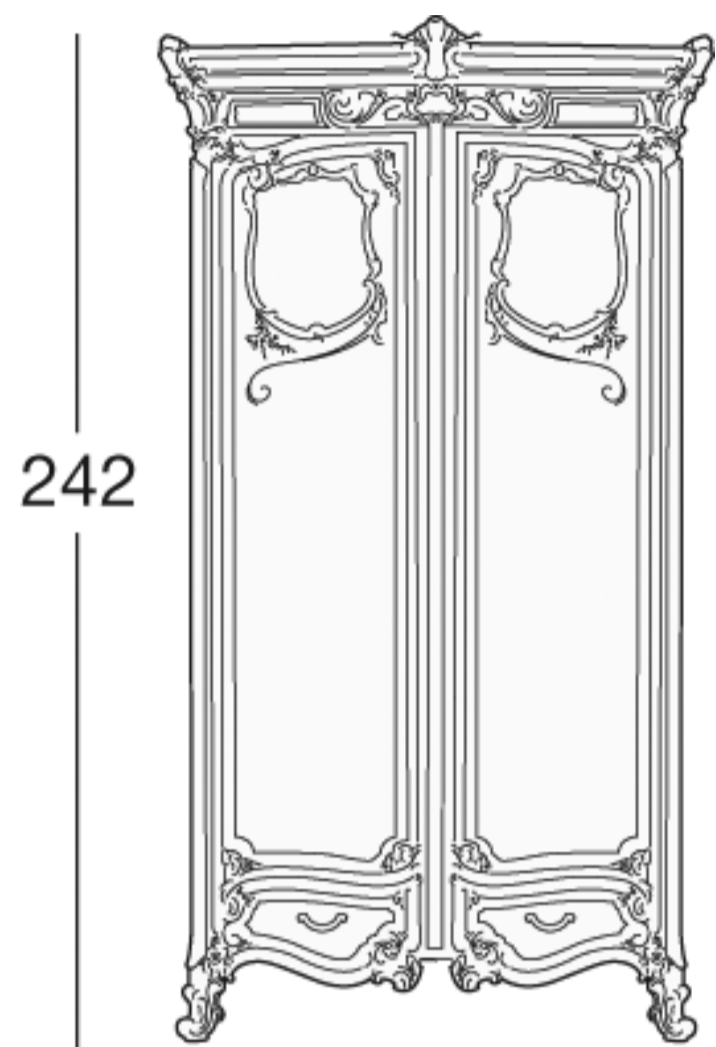
PANDORA

Art. 7750-7750/S-7750/2-7730/M4

Wardrobe

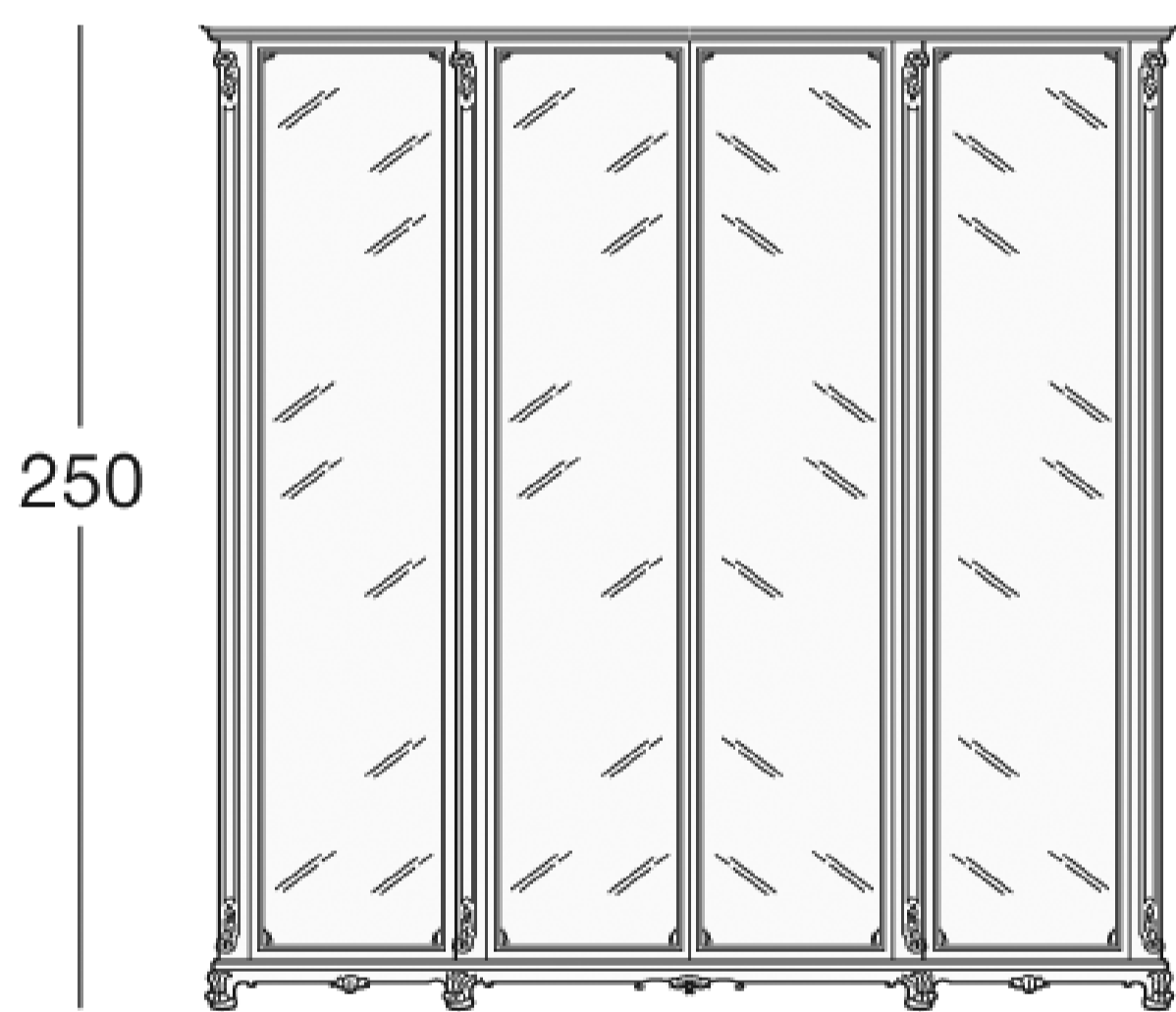
The four wardrobes of the Pandora collection are unique and perfectly matched to the gorgeous bed. They have various sizes and features, from the smallest which is the two-door wardrobe to the largest one which has, with its three meters long, six doors, four external drawers and four internal mirrors. It can be chosen with four mirrored doors as well.





242

— 137 x prof. 71 —



250

— 240 x prof. 73 —