



SILIK
1961

SENECA

Bedroom

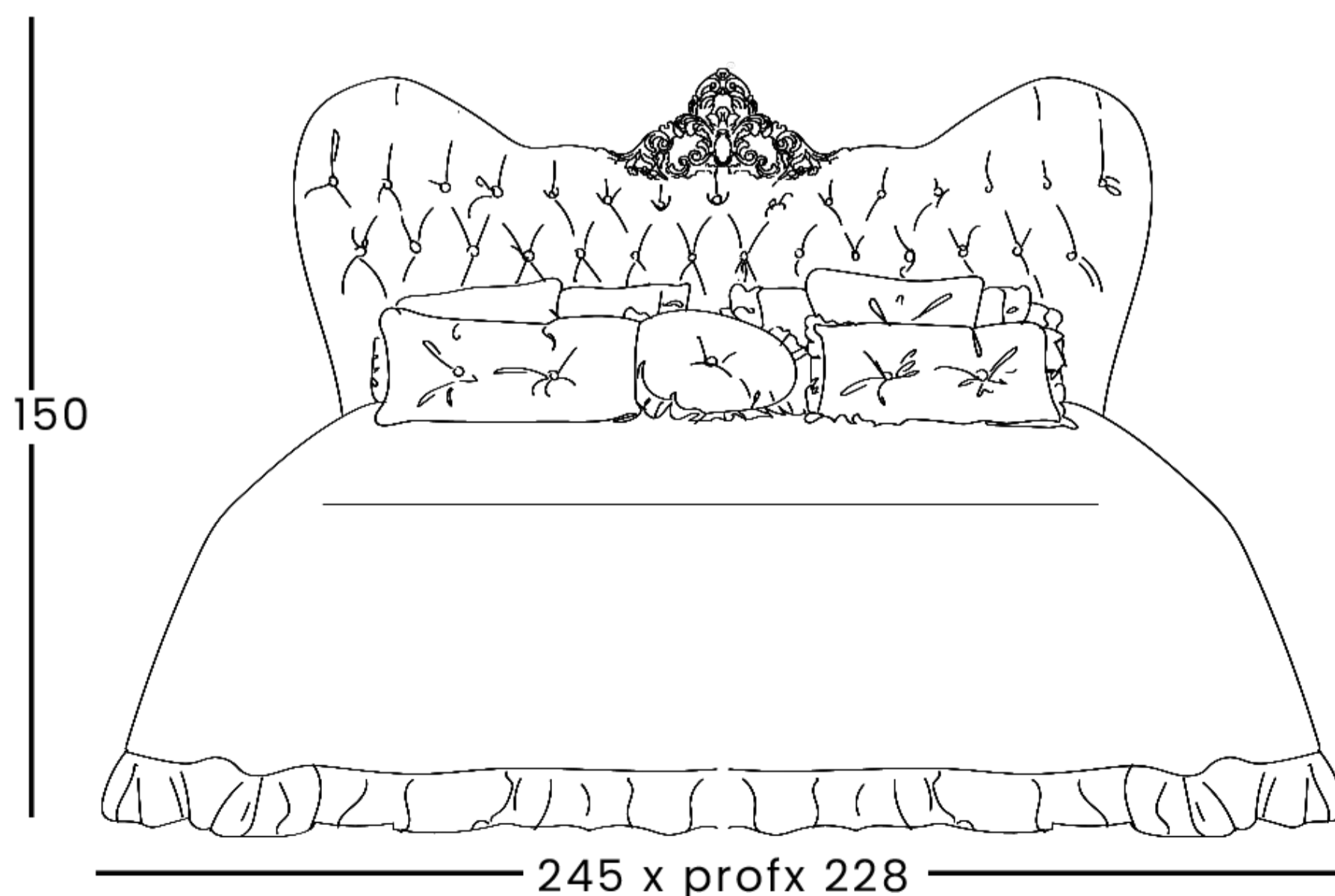
The Seneca collection is modern and appealing. This set was born for the need to combine a lavish and imposing style to a more modern and contemporary one. The headboard, fully padded in capitonné is embellished with a crown placed in the centre of what might seem like a heart. Charm and elegance: this is Seneca Set.

SENECA LETTO

Art. 7782/4

King-size bed

The bed from the Seneca collection intentionally has the same the backrest of the three-seater sofa from the homonymous living room collection. The headboard is then completely capitonné upholstered. On the top stands an elegant and carved crown. The bed, compared to the sofa, acquires a more marked heart shape, perfect for those looking for a romantic scenario.



SENECA LETTO

Art. 7793

Night table

Luxurious, refined, and romantic are the three words to describe the bedside table of the Seneca collection, shared with Vesta collection. The friezes placed on the two drawers recall fined leaves, the legs curved in the final part have carvings of long leaves like those of a bouquet of flowers. The idea of surprising with details, in this case, is obvious.



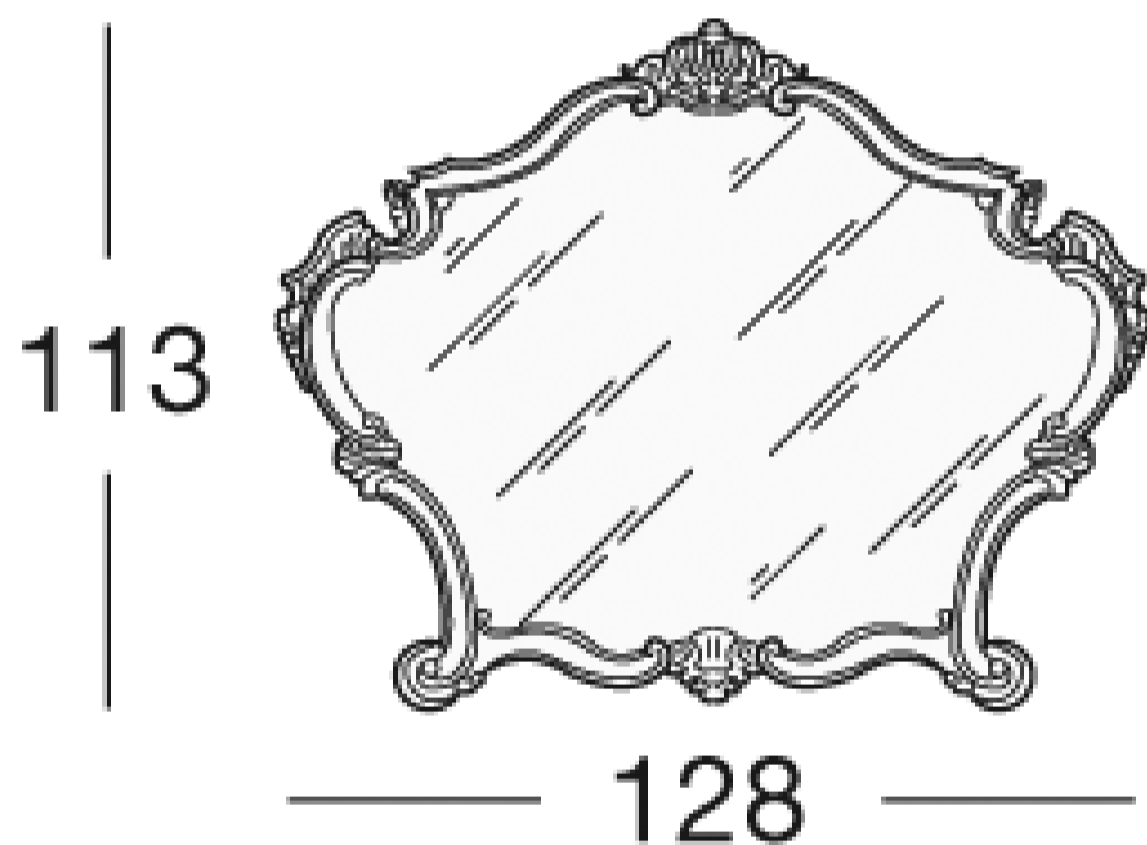
64 x prof. 50

SENECA LETTO

Art. 714

Mirror

The elegant and refined Vesta mirror, belonging to the Seneca collection as well, completes a set with a modern taste. With a soft and harmonious shape, it is suitable for a room with timeless flavours. Its perfect size, not too big or too small, makes it suitable to be combined with a dressing table or a chest of drawers.

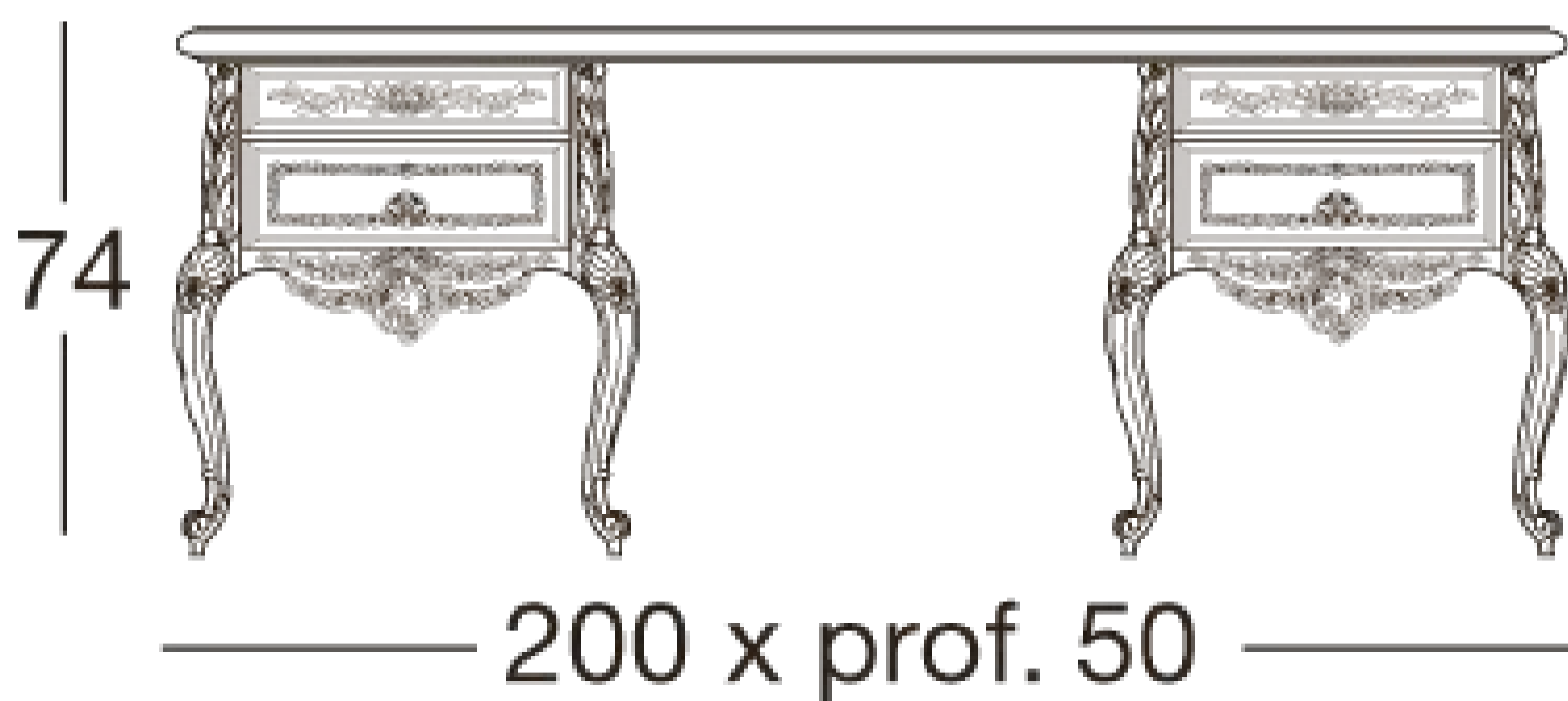


SENECA LETTO

Art. 7797

Dressing table

Two meters long, the Vesta dressing table with four drawers combined in this case with the Seneca room, dresses with a new, more contemporary air. The details in total agreement with the other items in this set, are also distinguished by the amazing craftsmanship in the realization of these small and sinuous leaves.



SENECA LETTO

Art. 7738

Pouf

A fundamental accessory to any bedroom, the pouf is the detail that characterizes some corners of the room. 46 cm high is perfect to be placed as a comfortable seat in front of the dressing table to relax in comfort in front a mirror. Finishing and choice of fabric will be the real characterizations of this small article.

